



## 36" Outdoor Gas Grill

Like their indoor counterparts, Wolf outdoor grills are precision instruments constructed of heavy-duty stainless steel. This 36-inch grill has powerful burners every five inches for even heat distribution. An electric rotisserie with infrared burner produces succulent poultry and roasts. The 25,000 Btu sear zone emits exceptionally high heat to sear meats faster and deeper. The Wolf outdoor grill can be built in or used on a cart for portable convenience. Available in natural or LP gas.



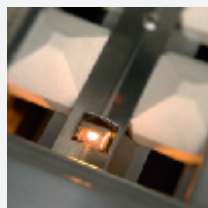
Model OG36 shown with model CART36 grill cart.

### FEATURES

- Can be built in or used in a portable application with accessory cart.
- Crafted of heavy-duty stainless steel.
- Each grill burner is individually contained for independent heat control.
- Infrared sear zone direct heat sears meats to seal in juices.
- Radiant heat from ceramic briquettes mixes with direct heat for more thorough grilling.
- Two-position rotisserie system with infrared burner.
- Hexagonal burner grates provide more heat contact for even grilling.
- Two halogen lights illuminate the grilling surface—LED lit control knobs allow for night grilling.
- Electric hot surface igniters operate by pushing in control knobs.
- Double wall hood front for insulation.
- Hood assist system with concealed springs for easy opening and closing.
- Three-position warming rack stows away when not in use.



Hexagonal grates.



Hot surface igniters.

### BURNER RATING

	Btu
Grill Burners	25,000
Sear Zone	25,000
Rotisserie Burner	14,000

### ACCESSORIES

- Stainless steel portable grill cart with fold-down side shelves and interior pull-out tray (see below).
- Black control knobs.
- Insulating liner for built-in application.
- Stainless steel accessory doors and drawers for built-in application.
- Canvas cover.



Model OG36 Outdoor Gas Grill

Accessories are available through your authorized Wolf dealer. For local dealer information, visit the find a showroom section of our website, [wolfappliance.com](http://wolfappliance.com).

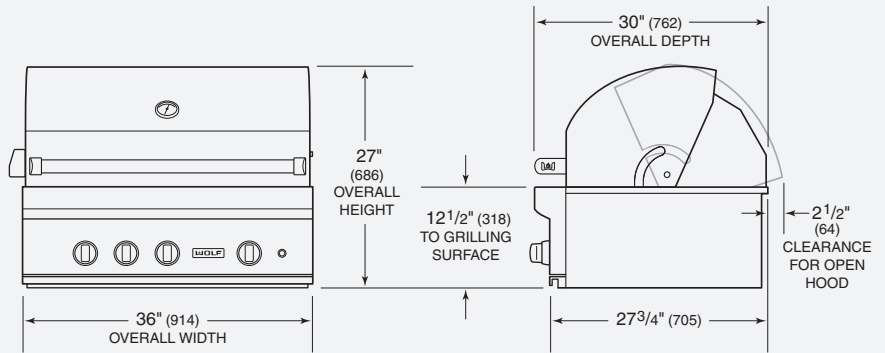


Model OG36 shown with model CART36 grill cart.



### 36" Outdoor Gas Grill

### OVERALL DIMENSIONS



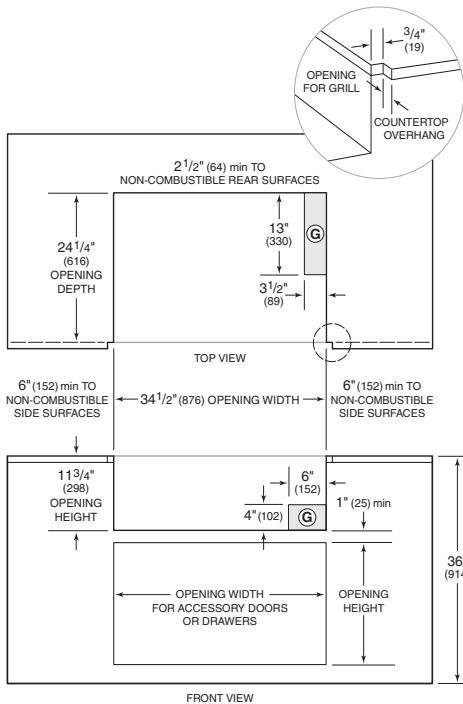
Unit dimensions may vary by  $\pm 1/8$ ".

### SPECIFICATIONS

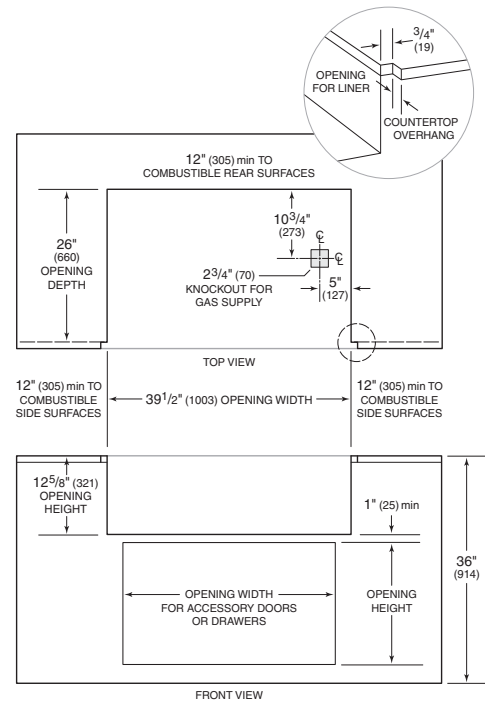
Exterior Finish	Stainless Steel
Overall Width	36"
Overall Height	27"
Overall Depth	30"
Electrical Requirements	110/120 V AC 60 Hz, 15 amp circuit
Power Cord	6' cord with grounded plug
Shipping Weight	247 lbs

### INSTALLATION SPECIFICATIONS

#### Non-Combustible Enclosure



#### Combustible Enclosure with Liner



### INSTALLATION NOTES

The Wolf outdoor gas grill is designed for easy placement into a built-in enclosure. Minimum clearances must be maintained as shown in the illustrations.

Complete installation specifications can be found on our website, [wolfappliance.com](http://wolfappliance.com).

Dimensions in parentheses are in millimeters unless otherwise specified.